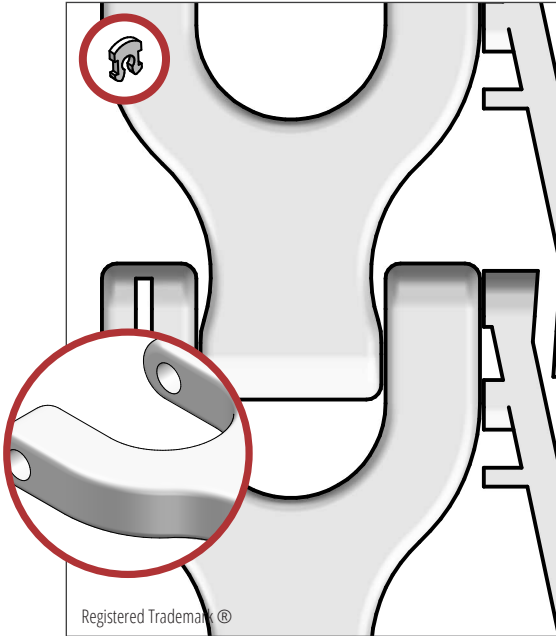


J.450

Ideal choice for heavy-duty transportation.
Spiral coolers, radius conveyors.
It only runs in J-curves.
FDA approved.



SCANBELT
...keeping industry moving...



Registered Trademark ©

SUGGESTED INDUSTRIES



STANDARD FEATURES

Belt surface	Smooth
Open area	67 %
Strength	Ideal choice for heavy-duty transportation.
Cleanability	Good
Width interval	Normally 33 mm. E.g: 95 mm, 128, 162 mm etc.
Construction	47/50 mm side modules, 200 mm centre modules

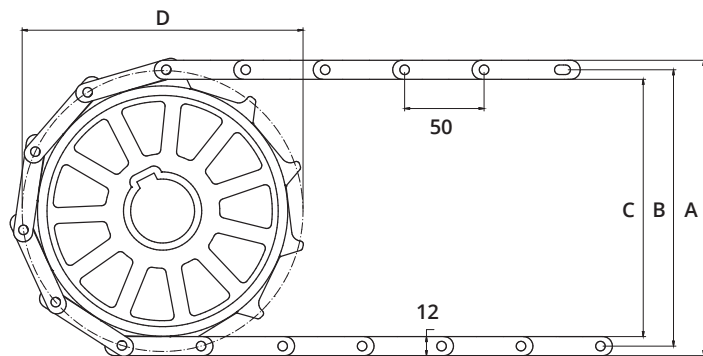
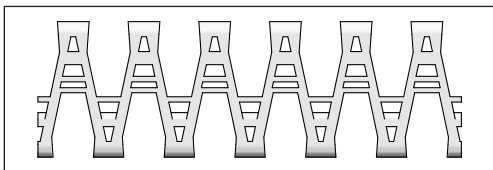
BELT DATA

Belt materials	Temperature		Rods	Max. belt pull kg/m	Belt weight kg/m ²	Standard Colours
	Min.	Max.				
PP	+ 5	100	-	-	-	White/Blue
			-	-	-	
			Steel	200	7,5	
POM	- 43	95	-	-	-	Natural/Blue
			-	-	-	
			Steel	450	9	

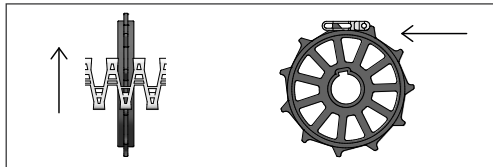
ACCESSORIES

Type	mm
Steel reinforcement	Yes
Nub top	PP,POM, Friction
Side Guard	5, 25

CENTER MODULE



SPROCKET ENGAGEMENT



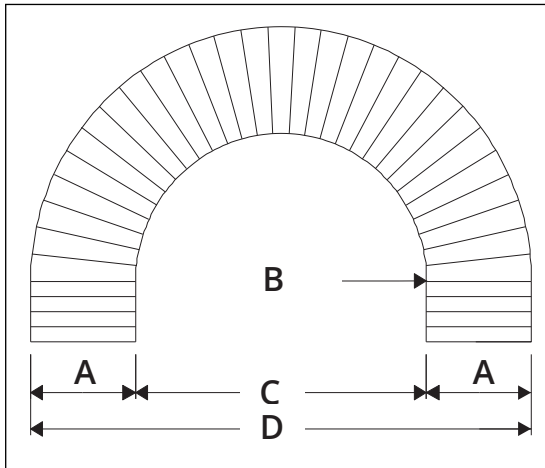
SPROCKET DATA

A = Outside, B = Pitch, C = Inside, D = Pitch Circle Diameter

No. Teeth	A	B	C	D	Hub Width	Round Bore		Square Bore	
	mm	mm	mm	mm		mm	Inch	mm	Inch
6	116	104	92	106	22	FLEX		FLEX	
11	186	174	162	178	22	30 / 40 / 45		40	

J.450 BELT DIMENSIONS

J.450 - 50 mm Radius



A = Standard belt width
 B = Inner radius
 C = Inner diameter
 D = Outer diameter

A	95	195	296	396	498	600	701	802	903	1003
B	133	283	444	614	797	960	1157	1364	1562	1775
C	266	566	888	1228	1594	1920	2314	2728	3124	3550
D	456	956	1480	2020	2590	3120	3716	4332	4930	5556

