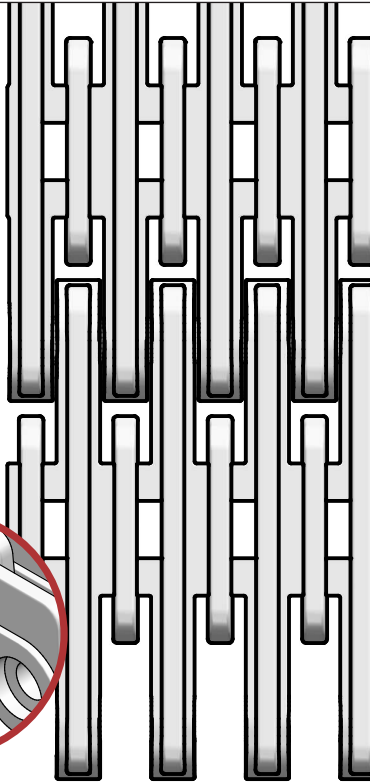


S.50-220

Ideal for transport of medium products, such as glass, bottling & cans. Pasteurizer applications. FDA approved.



SCANBELT
...keeping industry moving...



SUGGESTED INDUSTRIES

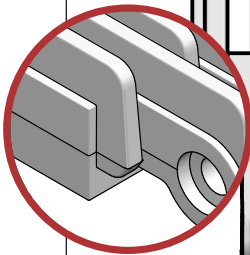


STANDARD FEATURES

Belt surface	Raised ribs (5 mm) – drained
Open area	22 %. Biggest opening 7,5 x 3,5 mm
Strength	Ideal choice for medium to heavy-duty transportation
Cleanability	Excellent. FSIS
Standard width	Increments of 12,5 mm, e.g. 100, 112,5, 125 mm

BELT DATA

Belt materials	Temperature range		Max. belt pull kg/m of width	Belt weight kg/m ²	Belt weight kg/m ² w. steel rods	Standard Colours
	Min.	Max.				
PP	+ 5	100	2900	15	19	Grey
POM	- 43	95	4350	22,5	26,5	Blue

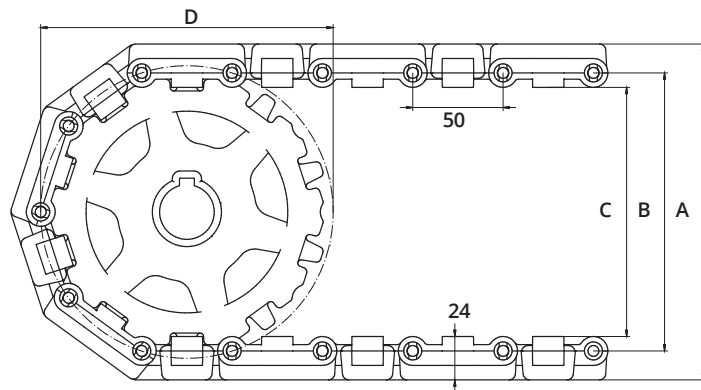


PROTECTED BY THE EU DESIGN REGISTRATION

ACCESSORIES

Type	mm
Flights *	-
Scoop Flights	-
Bent Flights	-
Supported Flights	-
Flights fitted with a Round Top	-
Side Guard	50, 75, 100, 150
Finger Transfer Plates	Yes
Hold-downs	-

*Modules can be supplied with a moulded indent of 40 mm.



SPROCKET DATA

A = Outside, B = Pitch, C = Inside, D = Pitch Circle Diameter

No. Teeth	A	B	C	D	Hub Width	Round Bore		Square Bore	
	mm	mm	mm	mm		mm	Inch	mm	Inch
6	120	88	72	101	20	20 / 25 / 30 / 40	¾ / 1 / 1¼	25 / 40	1½
8	154	122	106	133	35	25 / 30 / 40	1 / 1¼	25 / 40	1½
10	188	156	140	164	35	25 / 30 / 40	1 / 1¼	20 / 25 / 40 / 60 / 50 / 60 / 80	1½ / 2½
12	221	189	173	195	35	20 / 25 / 30 / 40 / 50 / 60	1 / 1¼	25 / 40 / 60 / 80	1½ / 2½
16	286	254	238	258	40	60 / 80		40 / 60 / 80	