

S.50-701

Cooling/freezing belts for bakery goods, fruit & vegetables, seafood industry etc. where large individual openings combined with evenly distributed airflow required. FDA approved.



SCANBELT
...keeping industry moving...

SUGGESTED INDUSTRIES

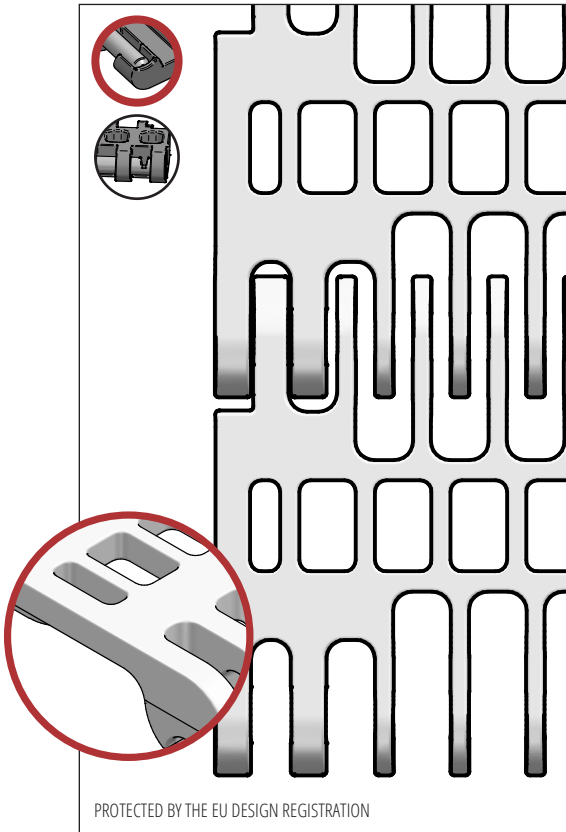


STANDARD FEATURES

Belt surface	Open belt with a smooth surface
Open area	63 %. Biggest opening 7,5 x 12 mm
Strength	Ideal choice for light transportation
Cleanability	Excellent. FSIS
Standard width	Increments of 10 mm, e.g. 100, 110, 120 mm etc.

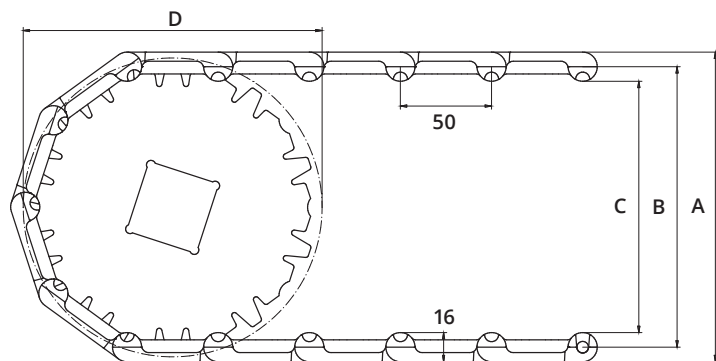
BELT DATA

Belt materials	Temperature range		Max. belt pull kg/m of width	Belt weight kg/m ²	Belt weight kg/m ² w. steel rods	Standard Colours
	Min.	Max.				
PE	-73	66	420	3,5	7,5	Blue/Natural
-	-	-	-	-	-	-
-	-	-	-	-	-	-
-	-	-	-	-	-	-



ACCESSORIES

Type	mm
Flights	-
Scoop Flights	-
Bent Flights	-
Supported Flights	-
Flights fitted with a Round Top	-
Side Guard	50, 75, 100, 150
Friction Top	-
Hold-downs	-



SPROCKET DATA

A = Outside, B = Pitch, C = Inside, D = Pitch Circle Diameter

No. Teeth	A	B	C	D	Hub Width	Round Bore		Square Bore	
	mm	mm	mm	mm		mm	Inch	mm	Inch
16**	270	254	238	258	35	60 / 80		40 / 60 / 80	

**6T, 8T, 10T and 12T available upon request.