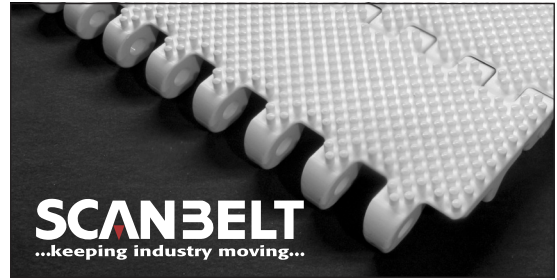


S.50-838

Ideal choice for medium to heavy-duty transportation. Ideal for seafood, meat & poultry, fruit & vegetables, sweets etc. FDA approved.



SCANBELT
...keeping industry moving...

SUGGESTED INDUSTRIES

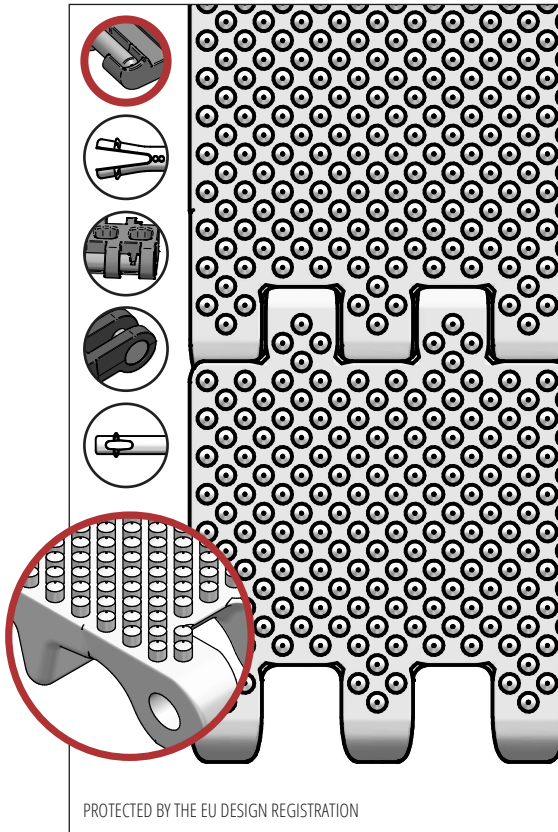


STANDARD FEATURES

Belt surface	Structure top with 2,5 mm micro cones
Open area	Closed
Strength	Ideal choice for medium to heavy-duty transportation
Cleanability	Excellent. FSIS
Standard width	Increments of 20 mm, e.g. 100, 120 mm etc.
Also available as	Module with 50 mm indent

BELT DATA

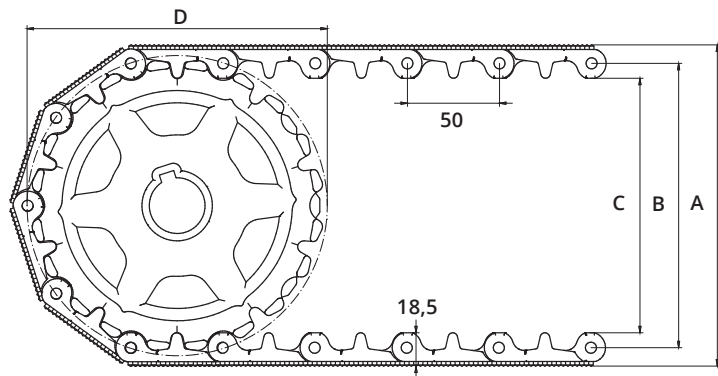
Belt materials	Temperature range		Max. belt pull kg/m of width	Belt weight kg/m ²	Belt weight kg/m ² w. steel rods	Standard Colours
	Min.	Max.				
PE	-73	66	4800	7	17	Natural
PP	+5	100	6000	7	18	White/Grey
POM	-43	95	10250	10	25	Blue



ACCESSORIES

Type	mm
Flights	25*, 50*, 75*, 100*
Scoop Flights	50, 75, 100*, 150*
Bent Flights	75*, 100*
Supported Flights	75, 100, 150
Flights fitted with a Round Top	Yes
Side Guard	50, 75, 100, 150
Friction Top	Yes
Hold-downs	Yes

*Modules can be supplied with a moulded indent of 40 mm.



SPROCKET DATA

A = Outside, B = Pitch, C = Inside, D = Pitch Circle Diameter

No. Teeth	A	B	C	D	Hub Width	Round Bore		Square Bore	
	mm	mm	mm	mm		mm	Inch	mm	Inch
6	110	89	73	100	20	20 / 25 / 30 / 40	¾ / 1 / 1¼	25 / 40	1½
8	143	122	106	132	35	25 / 30 / 40	1 / 1¼	25 / 40	1½
10	177	156	140	162	35	20 / 25 / 30 / 40 / 50 / 60 / 80	1 / 1¼	25 / 40 / 60	1½ / 2½
12	210	189	173	195	35	20 / 25 / 30 / 40 / 50 / 60 / 80	1 / 1¼	25 / 40 / 60	1½ / 2½