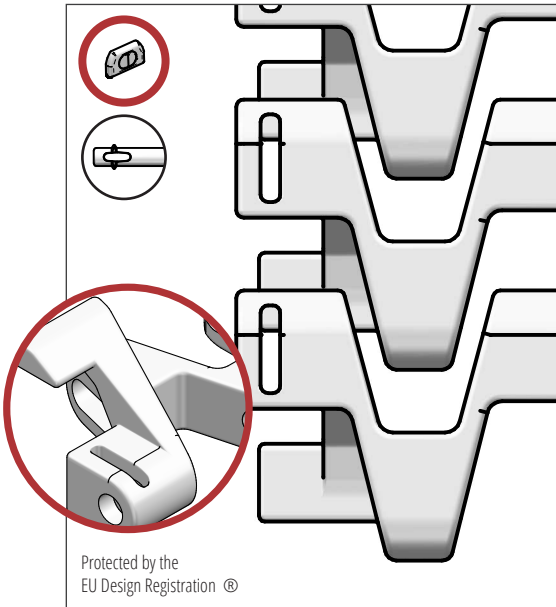


# S.100R HOOK

The ideal choice for medium weight transportation. Spiral Coolers, Radius Conveyors. This version has integrated hooks turned outside. FDA approved.



**SCANBELT**  
...keeping industry moving...



## SUGGESTED INDUSTRIES



## STANDARD FEATURES

Belt surface	Smooth
Open area	52 %
Strength	The ideal choice for medium-duty transportation
Cleanability	Good
Width interval	Normally 20,5 mm. E.g: 209 mm, 229 mm etc.

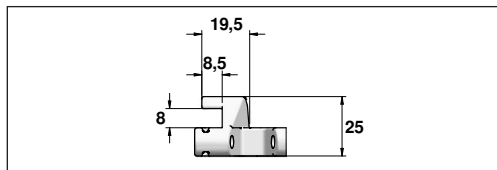
## BELT DATA

Belt materials	Temperature		Rods	Max. belt pull kg/m	Belt weight kg/m <sup>2</sup>	Standard Colours
	Min.	Max.				
PP	+ 5	100	PP	60	4,5	White/Blue
			Nylon	90	4,5	
			Steel	100	10	
POM	- 43	95	PP	75	7	Natural/Blue
			Nylon	110	7	
			Steel	150	12,5	

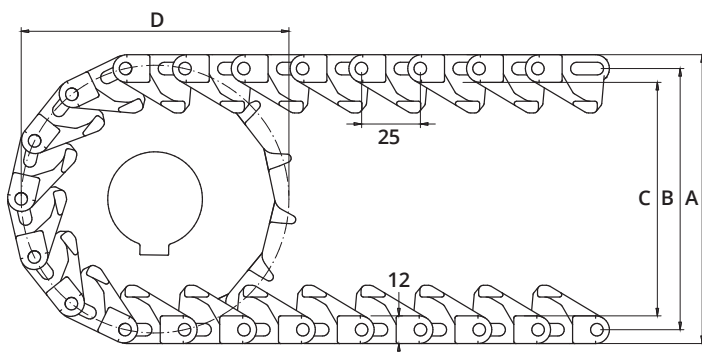
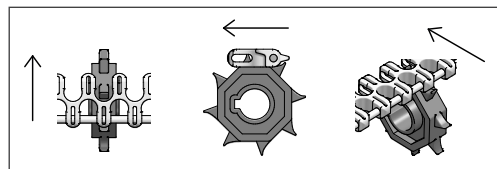
## ACCESSORIES

Type	mm
Flights	25, 50, 75
Side Guard	-
Friction Top	Yes

## HOOKS



## SPROCKET ENGAGEMENT



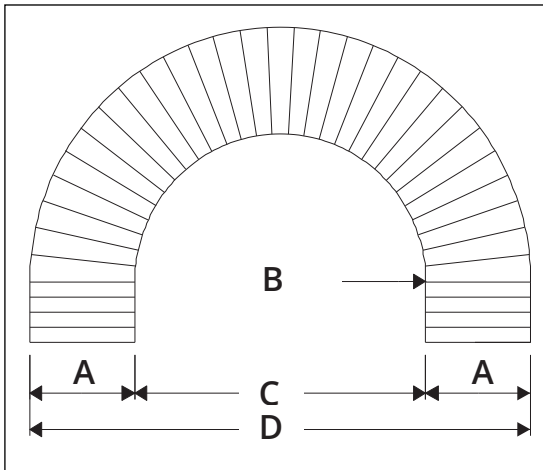
## SPROCKET DATA

A = Outside, B = Pitch, C = Inside, D = Pitch Circle Diameter

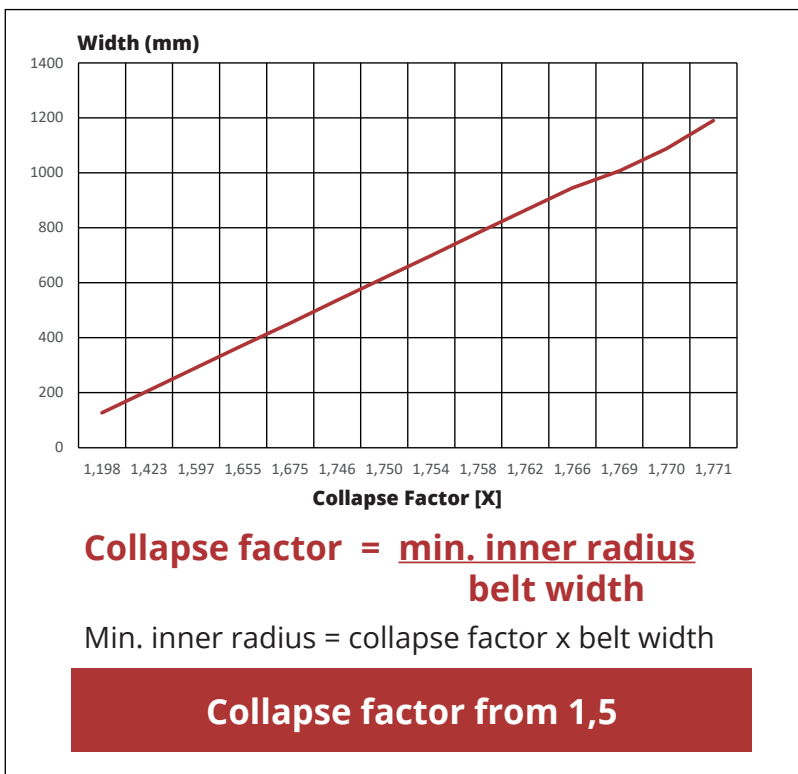
No. Teeth	A	B	C	D	Hub Width	Round Bore		Square Bore	
	mm	mm	mm	mm		mm	Inch	mm	Inch
12	106	94	82	98	20	20 / 25 / 30 / 40	¾ / 1 / 1¼	25 / 40	1½
20	173	161	149	162	35	25 / 30 / 40	1 / 1¼	25 / 40	1½

# S.100R HOOK BELT DIMENSIONS

S.100 R HOOK - 25 mm radius



<b>A</b>	209	270	373	475	577	679	782	884	986	1088
<b>B</b>	297	419	617	810	1044	1173	1408	1675	1898	2143
<b>C</b>	594	838	1234	1620	2088	2346	2816	3350	3796	4286
<b>D</b>	1012	1378	1980	2570	3242	3704	4380	5118	5768	6462



## STANDARD WIDTH

Belt width	Min.inner radius.	Belt width.	Min.inner radius
127	152	618	1125
147	183	638	1164
168	220	659	1127
188	260	679	1173
209	297	699	1216
229	336	720	1264
250	378	741	1312
270	419	761	1358
291	465	782	1408
311	504	802	1459
332	543	823	1513
352	581	843	1564
373	617	864	1618
393	652	884	1675
413	688	904	1734
433	723	925	1753
453	763	945	1800
475	810	966	1850
495	856	986	1898
516	906	1007	1944
536	954	1088	2143
557	1000	1190	2404
577	1044		
598	1085		