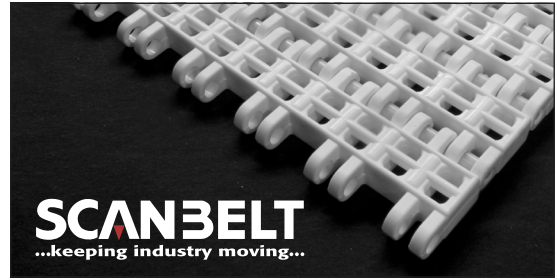


# S.25-411

Ideal choice for medium-duty transportation. Great for fish, meat, vegetables, frozen food etc. Suitable for blanching belts and boiling of noodles. FDA approved.



**SCANBELT**  
...keeping industry moving...

## SUGGESTED INDUSTRIES



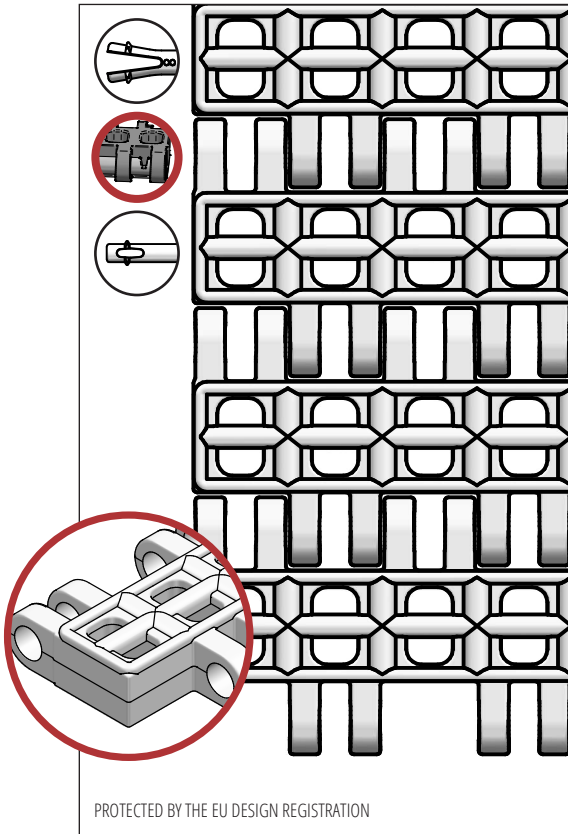
## STANDARD FEATURES

Belt surface	Open net-like belt with a curved surface
Open area	26 %. Biggest opening 3 x 6 mm
Strength	Ideal choice for medium-duty transportation
Cleanability	Excellent. FSIS
Standard width	Increments of 25 mm, e.g. 100 mm, 125 mm etc.
Non-standard width*	Increments of 12,5 mm, e.g. 100, 112,5 mm etc.

\*Non-standard widths will have cut edge on one side.

## BELT DATA

Belt materials	Temperature range		Max. belt pull kg/m of width	Belt weight kg/m <sup>2</sup>	Belt weight kg/m <sup>2</sup> w. steel rods	Standard Colours
	Min.	Max.				
PE	- 73	66	630	6	11,5	Blue/Natural
PP	+ 5	100	1060	6	11,5	Blue/White/Grey
POM	- 43	95	1620	7,5	13	Blue/Natural

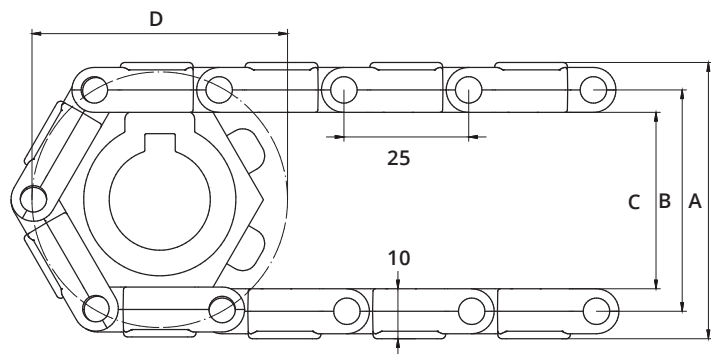


PROTECTED BY THE EU DESIGN REGISTRATION

## ACCESSORIES

Type	mm
Flights	3, 25, 50, 75
Scoop Flights	-
Bent Flights	-
Supported Flights	-
Flights fitted with a Round Top	Yes
Side Guards	25, 50, 75
Friction Top	Yes
Hold-downs	Yes

\*Modules can be supplied with a moulded indent of 40 mm.



## SPROCKET DATA

A = Outside, B = Pitch, C = Inside, D = Pitch Circle Diameter

No. Teeth	A	B	C	D	Hub Width	Round Bore		Square Bore	
	mm	mm	mm	mm		mm	Inch	mm	Inch
6	56	45	36	52	20	20			
8	73	62	53	66	20	20 / 25	1	25	
12	107	96	87	99	20	20 / 25 / 30 / 40	1 / 1¼	25 / 40	1½
20	173	162	153	164	35	25 / 30 / 40	1 / 1¼	25 / 40 / 60	1½ / 2½