

# S.25-600

Ideal choice for light transportation etc.  
Bakery goods (raw dough), poultry, sweets etc.  
FDA approved.



**SCANBELT**  
...keeping industry moving...

## SUGGESTED INDUSTRIES

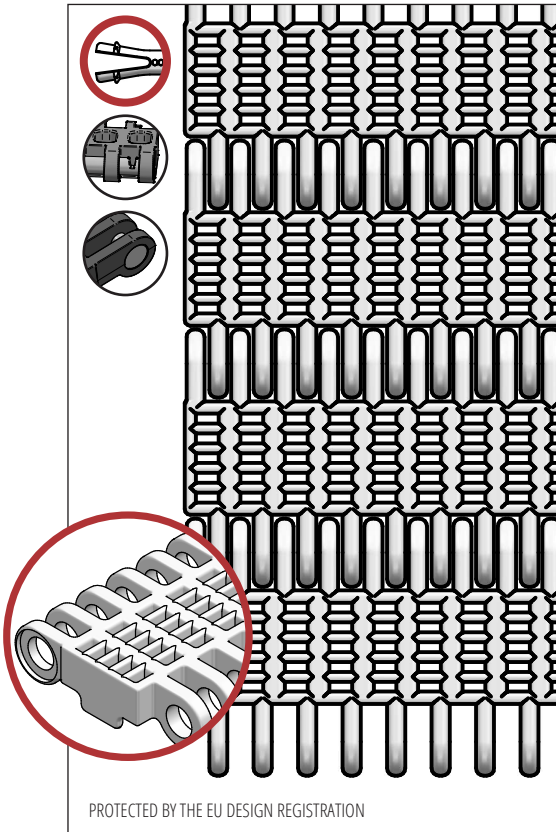


## STANDARD FEATURES

Belt surface	Perforated flat top
Open area	16 %. Biggest opening 1,5 x 3 mm
Strength	Ideal choice for light transportation
Cleanability	Good. FSIS
Standard width	Increments of 6 mm, e.g. 100, 106 mm etc.

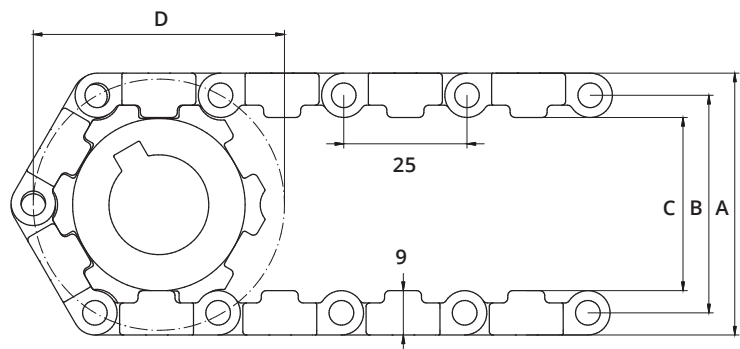
## BELT DATA

Belt materials	Temperature range		Max. belt pull kg/m of width	Belt weight kg/m <sup>2</sup>	Belt weight kg/m <sup>2</sup> w. steel rods	Standard Colours
	Min.	Max.				
PE	- 73	66	540	4	9,5	Blue/Natural
PP	+ 5	100	740	4	9,5	Blue/White/Grey
POM	- 43	95	1250	6	11,5	Blue/Natural



## ACCESSORIES

Type	mm
Flights	5, 25, 50
Scoop Flights	-
Bent Flights	-
Supported Flights	-
Flights fitted with a Round Top	Yes
Side Guards	25, 50, 75
Friction Flights	25, 50
Hold-downs	Yes



## SPROCKET DATA

A = Outside, B = Pitch, C = Inside, D = Pitch Circle Diameter

No. Teeth	A	B	C	D	Hub Width	Round Bore		Square Bore	
	mm	mm	mm	mm		mm	Inch	mm	Inch
6	54	45	36	52	40	20			
12	105	96	87	99	40	25 / 30 / 40		40 / 60	1½
20	170	161	152	164	40	25 / 30 / 40		40 / 60	1½